

## SLIPPER RINGS AND FLUOR/S TAPES

The Slipper gasket is made up of a filled PTFE segment forming the dynamic part of the seal and of an elastomer ring, normally an O-ring, which ensures the constant elastic energy required to guarantee the fit of the seal over a long period of time. Within the concept of Slipper rings, advanced PTFE formulations, characterized by low friction and resistance to wear and extrusion, replace traditional rubber in the dynamic areas.

This considerably raises the overall technical limits involved in the concept of sealing. Due to its high performance level, the Slipper gasket is a great asset in modern projects where primary needs are met, thanks to the simplicity of installation of this gasket and its very small dimensions.

The Fluor/S calibrated tapes in filled PTFE produced by Fluorten have been used successfully for obtaining self-lubricating piston and rod bearing rings which reduce wear to a minimum by avoiding kinetic metal-to-metal contact. Tapes can be supplied with teardrops or diamonds "Oil Pockets" and with chamfers (broken edges). These are supplied in continuous length rolls in accordance with customers' needs and Fluorten's standards.

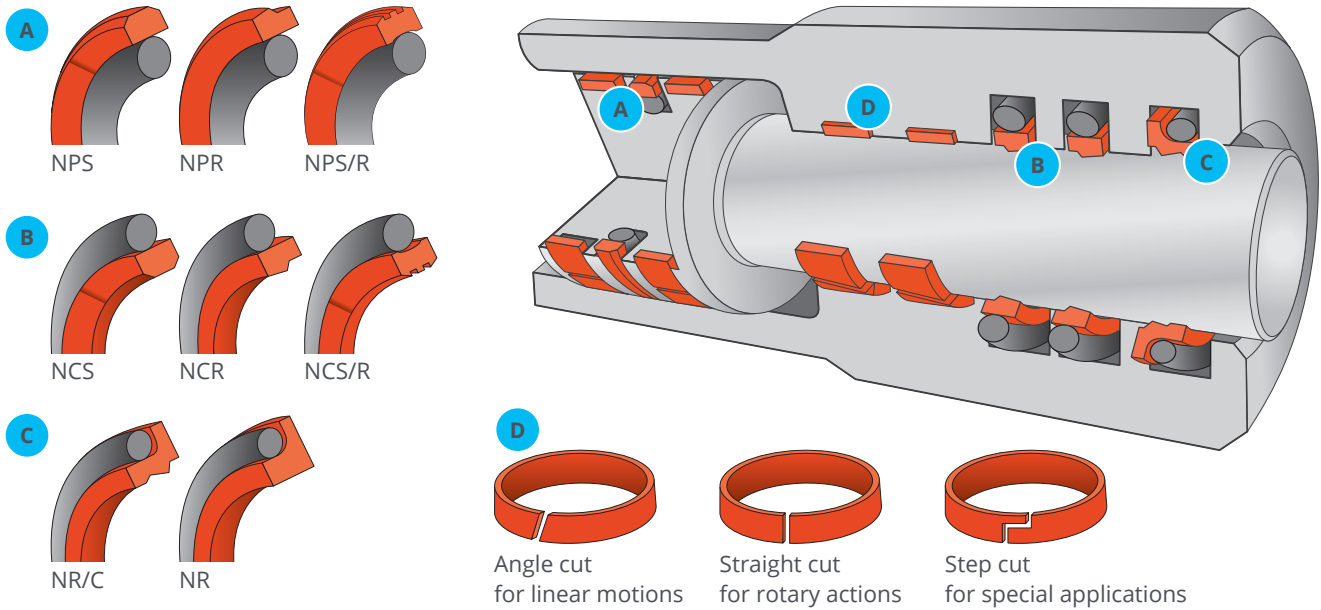
### Application field of slipper rings and Fluor/S tapes

- Fluid dynamics for medium-high pressures and high speeds, even without lubrication
- Fluid dynamics for analog and control regulation devices
- Servosystems and in general, in positioning hydraulics with high resolution power, as well as in systems offering great reliability over long periods of time
- The Slipper gasket is frequently used on rotary and slow rotary-translation movements, and also as an antiextrusion device for overpressures in static and semi-static seals.

Fluor/S bearing rings are the ideal complement to this gasket (see our «Fluor/S» catalogue).

# SLIPPER RINGS AND FLUOR/S TAPES

FLUID DYNAMICS FOR MEDIUM-HIGH PRESSURES AND HIGH SPEEDS



PROPERTY		Density	Tensile strength	Elongation	Hardness	Max. / Min. operating temp.	Colour
STANDARD		ASTM D 792	ASTM D 4894	ASTM D 4894	ASTM D 2240	/	/
UNITS		g/cm <sup>3</sup>	Mpa	%	Shore D	°C	/
TYPICAL VALUES	F10-00	2.16	20	200	55	+250 / -50	White
	F10-50	3.85	12	120	67	+250 / -50	Brown
	F10-57	3.05	18	200	65	+250 / -50	Dark brown
	F10-144	3.05	18	200	65	+250 / -50	Green
	F10-145	3.05	18	200	65	+250 / -50	Dark green
	F10-26	2.10	12.5	100	65	+250 / -50	Black
	F10-04	2.25	16	200	60	+250 / -50	Dark grey

Whilst data and information given here are the result of our considerable experience, they are only intended as a guide line and Fluorten s.r.l. can accept no responsibility either for the results obtained from this information or for situations in conflict with any existing patents. Unlisted PTFE filled compounds are manufactured on specific request.

## FLUORTEN PRODUCES:

